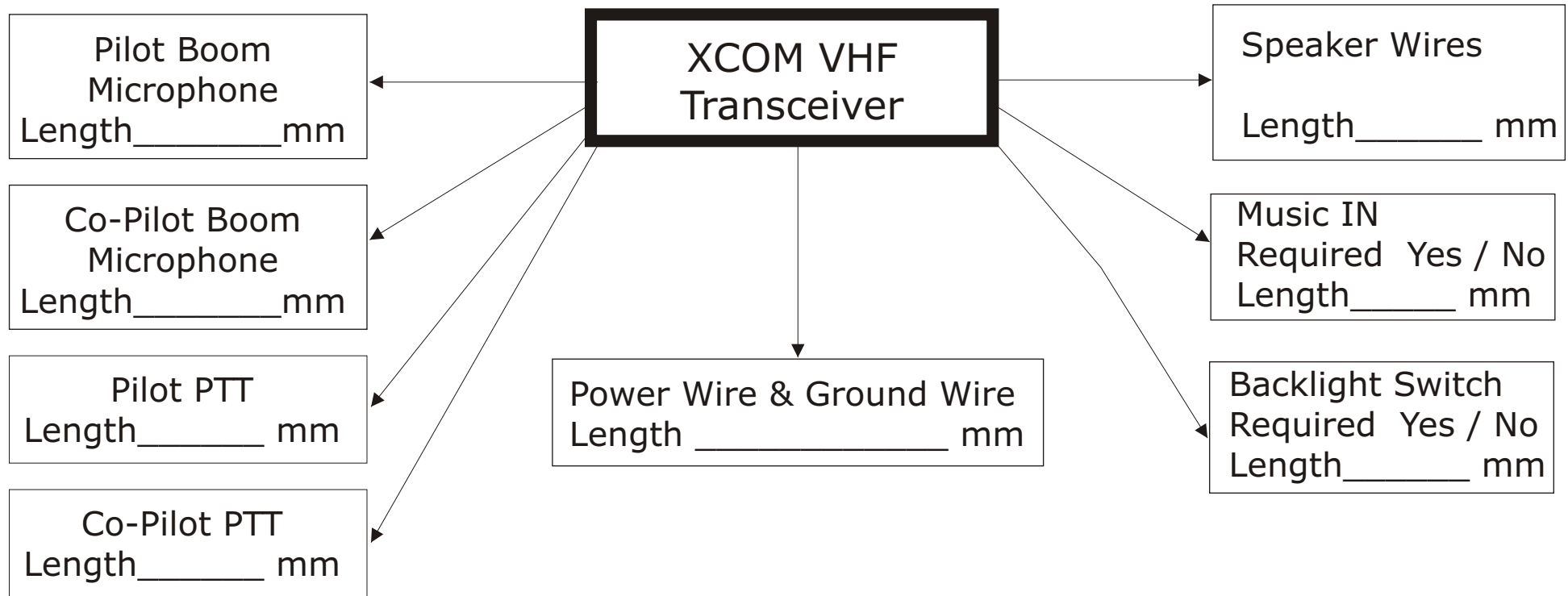


# XCOM Transceiver Dual Seat Glider Wiring Data Sheet



Fax back to  
 XCOM Avionics  
 +61 7 5568 7772  
 Customer Name: \_\_\_\_\_  
 Aircraft Type: \_\_\_\_\_  
 Email details: \_\_\_\_\_

- Several of the above items are optional, for example if your aircraft has a single seat you do not need the PTT for copilot or Intercom On/Off etc.. Please answer **Yes** or **No** to all questions which require an option.
- Indicate wire length on **every** item in millimetres.
- We make the harness according to your information, if its to short it will not fit. Be aware if it's to long you will have extra wire coiled around. Please provide us with the correct length needed.
- If you don't know mm please visit our website <http://www.mcp.com.au> and download our conversion calculator which does over 1200 conversions.